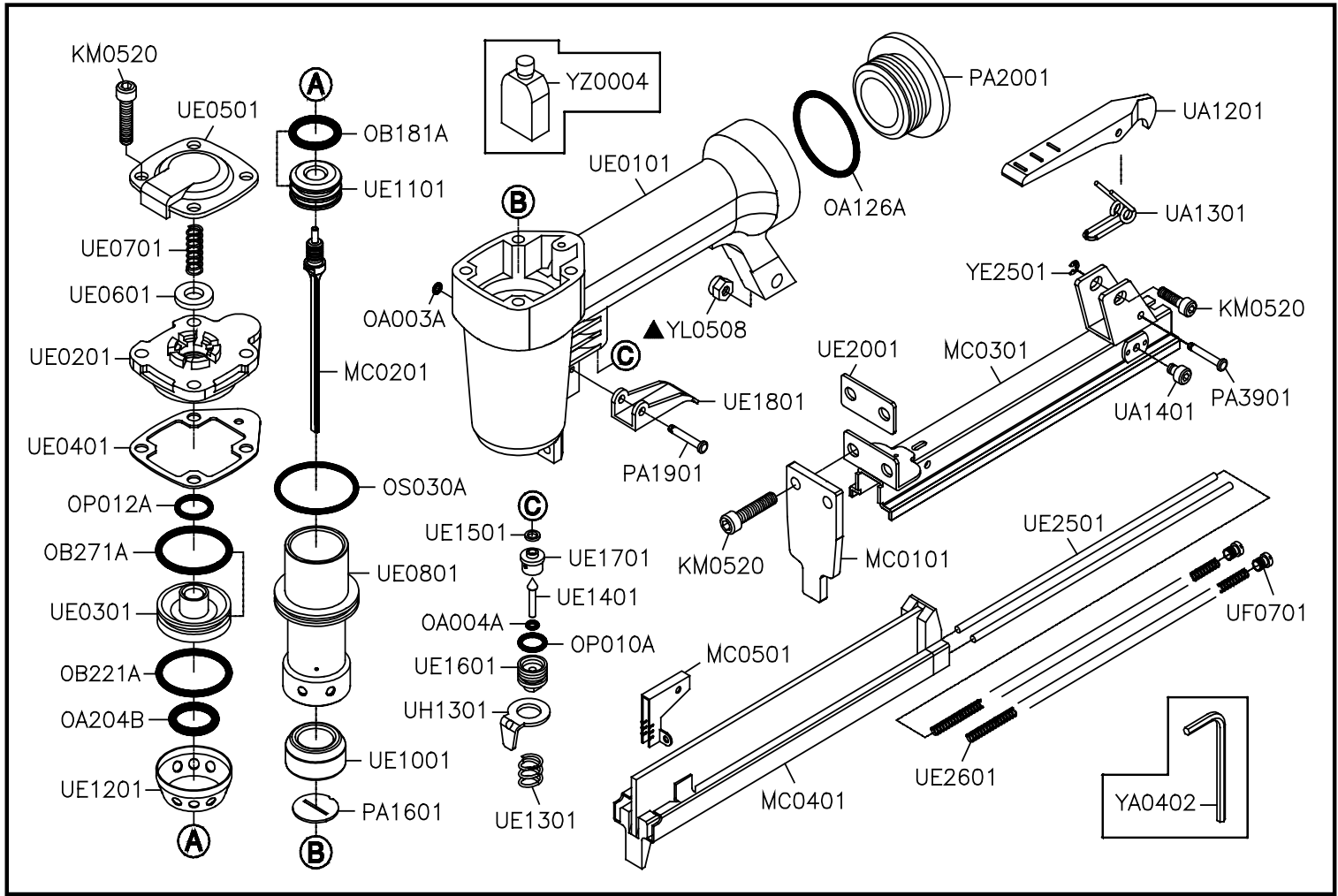


# SJK-16E02 (MC/E1-02)



Part_No	Description	Spec	Q'ty	Part_No	Description	Spec	Q'ty	Part_No	Description	Spec	Q'ty
KM0520	HEX.SOC.HD.BOLT	M5×0.8 - 20L	7	PA1901	PIN		1	UE1301	COMPRESSION SPRING		1
MC0101	COVER PLATE		1	PA2001	END CAP		1	UE1401	TRIGGER VALVE STEM		1
MC0201	DRIVER		1	PA3901	PIN		1	UE1501	SEAL		1
MC0301	MAGAZINE CAP SET.		1	UA1201	LATCH		1	UE1601	TRIGGER VALVE GUIDE		1
MC0401	MAGAZINE ASSY.		1	UA1301	LATCH SPRING		1	UE1701	TRIGGER VALVE SEAT		1
MC0501	PUSHER		1	UA1401	RETAINER SCREW		2	UE1801	TRIGGER		1
OA003A	O-RING	ARP568-003	1	UE0101	BODY		1	UE2001	SPACER		1
OA004A	O-RING	ARP568-004	1	UE0201	CYLINDER CAP		1	UE2501	GUIDE STEM		2
OA126A	O-RING	ARP568-126	1	UE0301	HEAD VALVE PISTON		1	UE2601	PUSHER SPRING		2
OA204B	O-RING	ARP568-204	1	UE0401	CAP SEAL		1	UF0701	HEX.SOC.SET SCREW		2
OB181A	O-RING	17.5×3	1	UE0501	EXHAUST CAP		1	UH1301	TRIGGER STOP		1
OB221A	O-RING	22×3	1	UE0601	PISTON STOP		1	YA0402	HEX BAR WRENCH	D4	1
OB271A	O-RING	26.8×2.4	1	UE0701	COMPRESSION SPRING		1	YE2501	E-RING	2.5	1
OP010A	O-RING	P10	1	UE0801	CYLINDER		1	YL0508	LOCK NUT	M5×0.8	1
OP012A	O-RING	P12	1	UE1001	BUMPER		1	YZ0004	OIL BOX		1
OS030A	O-RING	S-30	1	UE1101	MAIN PISTON		1				
PA1601	NOZZLE		1	UE1201	COLLAR		1				

If you need to order parts, please mark both Parts No. and Description.