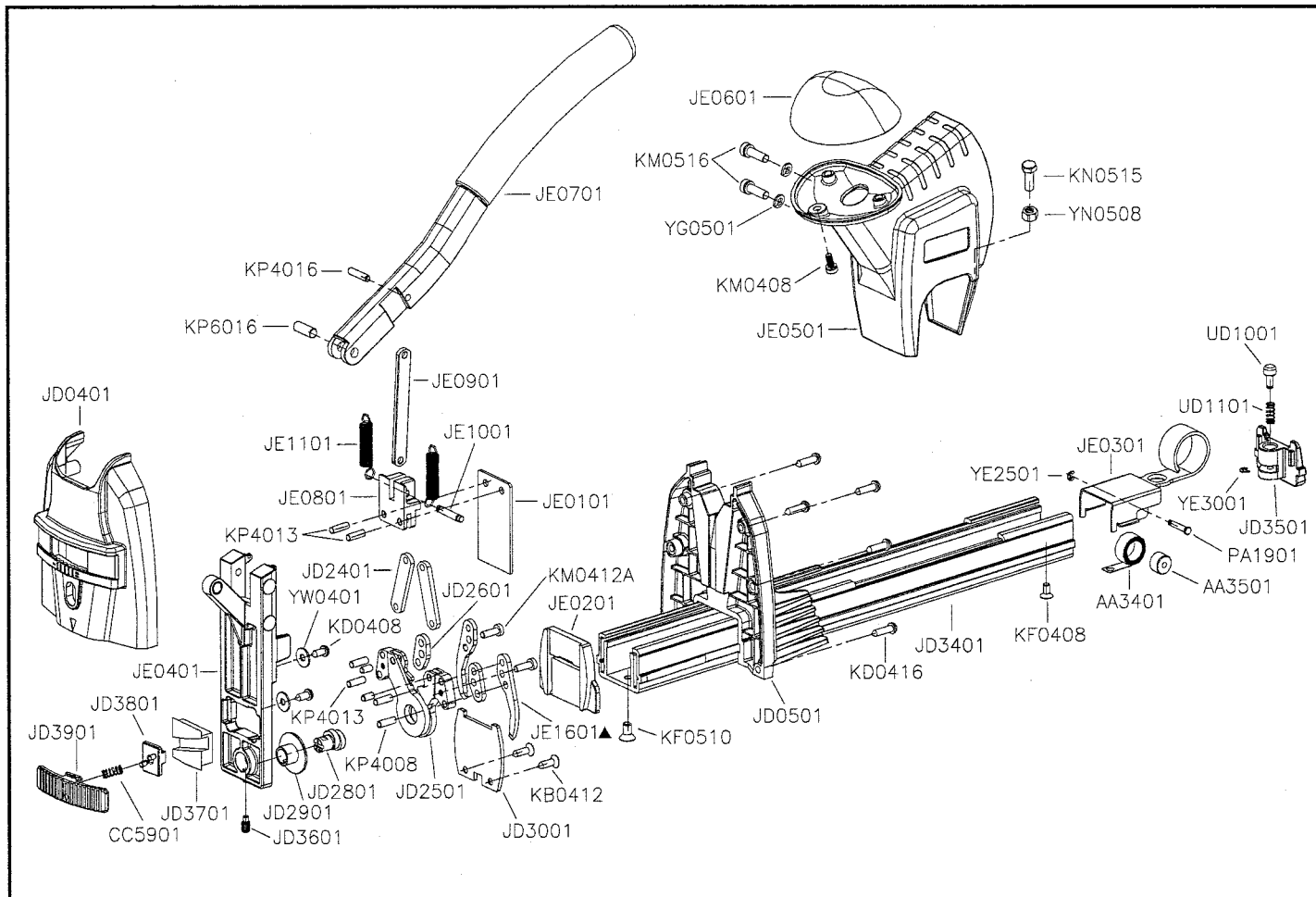


H3218N01 (JE/18H-01)



Part_No	Description	Spec	Qty	Part_No	Description	Spec	Qty	Part_No	Description	Spec	Qty
AA3401	PUSHER SPRING		1	JE0101	DRIVER		1	KM0408	HEX.SOC.HD.BOLT	M4×0.7—8L	1
AA3501	ROLLER		1	JE0201	GUIDE PLATE		1	KM0412A	HEX.SOC.HD.BOLT	M4×0.7—12L	2
CC5901	COMPRESSION SPRING		1	JE0301	PUSHER		1	KM0516	HEX.SOC.HD.BOLT	M5×0.8—16L	2
JD0401	FRONT SECTION		1	JE0401	BODY(2)		1	KN0515	HEX.SOC.HD.BOLT	M5×0.8—15L	1
JD0501	REAR BODY		1	JE0501	BODY(1)		1	KP4008	PARALLEL PIN	φ4×8L	2
JD2401	LINK		2	JE0601	HANDLE		1	KP4013	PARALLEL PIN	φ4×13L	6
JD2501	ANVIL HOLDER		2	JE0701	HANDLE UNIT		1	KP4016	PARALLEL PIN	φ4×16L	1
JD2601	SPACER		2	JE0801	ADJUSTABLE SEAT		1	KP6016	PARALLEL PIN	φ6×16L	1
JD2801	PENETRATION ECCENTRIC		1	JE0901	LINK		1	PA1901	PIN		1
JD2901	BUSHING		1	JE1001	PIN		1	UD1001	STOP PIN		1
JD3001	COVER PLATE		1	JE1101	PULL SPRING		2	UD1101	COMPRESSION SPRING		1
JD3401	MAGAZINE SEAT		1	▲ JE1601	ANVIL HOOK		2	YE2501	E-RING	φ2.5	1
JD3501	STOP PLATE		1	KB0412	SCREW	M4×0.7—12L	2	YE3001	E-RING	φ3.0	1
JD3601	RETAINER SCREW		1	KD0408	SCREW	#4×8 TP	2	YG0501	SPRING WASHER	φ5	2
JD3701	CAGE		1	KD0416	SCREW	#4×16 TP	6	YN0508	HEX.NUT	M5×0.8	1
JD3801	CONTROL SEAT		1	KF0408	FLAT HD.BOLT	M4×0.7—8L	1	YW0401	FLAT WASHER	φ4	2
JD3901	ADJUSTABLE BUTTON		1	KF0510	FLAT HD.BOLT	M5×0.8—10L	1				

★☆☆ If you need to order parts, please mark both Parts No. and Description.☆☆★