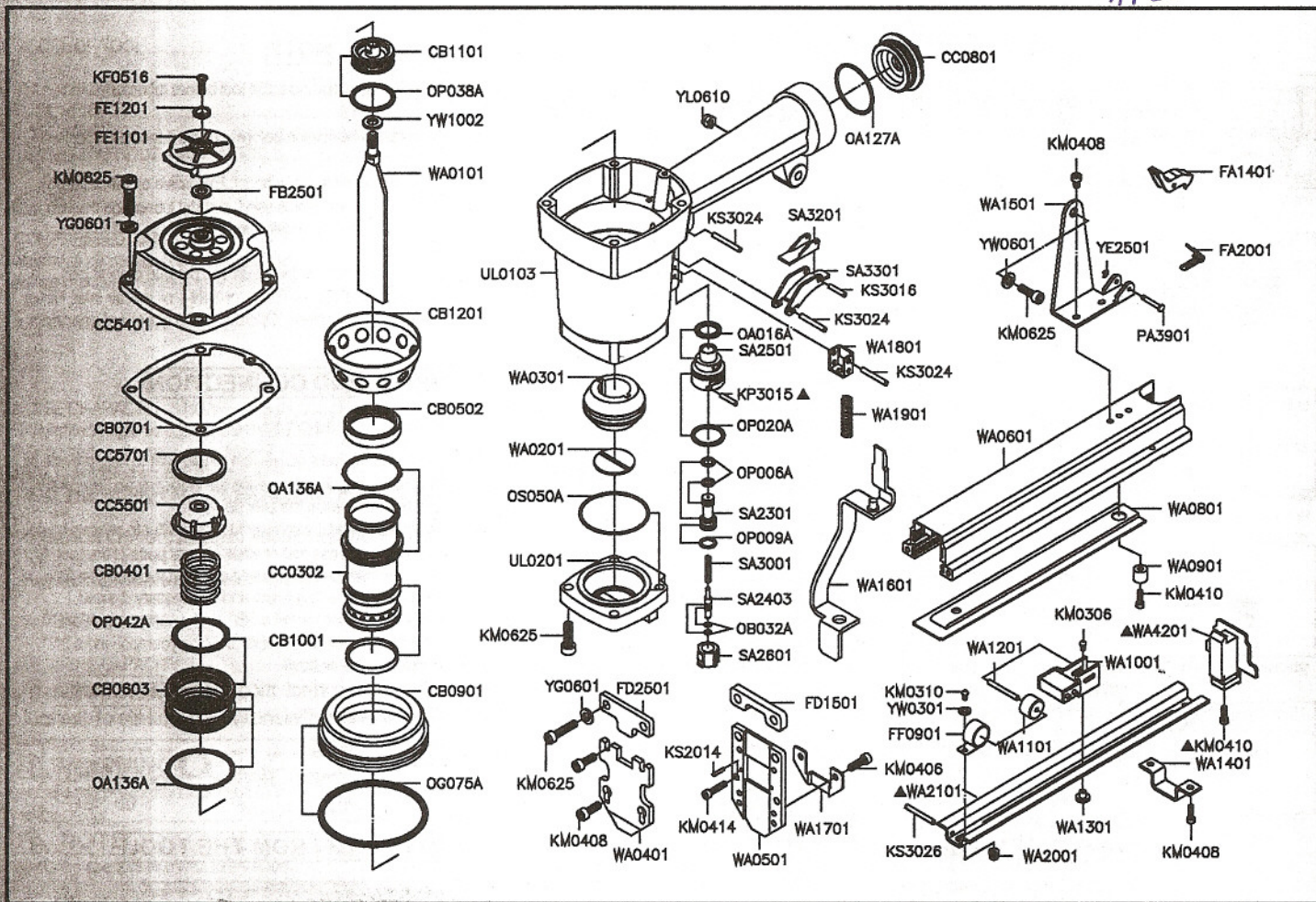


# CF-15SC09 (WA/S2-09)

APL



Part_No	Description	Spec	Qty	Part_No	Description	Spec	Qty	Part_No	Description	Spec	Qty
CB0401	COMPRESSION SPRING		1	KM0625	HEX.SOC.HD.BOLT	M6×1.0—25L	11	WA0201	NOZZLE		1
CB0502	CYLINDER RING		1	▲ KP3015	PARALLEL PIN	φ 3×15L	2	WA0301	BUMPER		1
CB0603	HEAD VALVE PISTON		1	KS2014	SPRING PIN	φ 2-14L	2	WA0401	COVER PLATE(B)		1
CB0701	CAP SEAL		1	KS3016	SPRING PIN	φ 3-16L	1	WA0501	GUIDE PLATE		1
CB0901	CYLINDER RING		1	KS3024	SPRING PIN	φ 3-24L	4	WA0601	MAGAZINE CAP		1
CB1001	CHECK SEAL		1	KS3026	SPRING PIN	φ 3-26L	1	WA0801	ADJUSTMENT RAIL		1
CB1101	MAIN PISTON		1	OA016A	O-RING	ARP568-016	1	WA0901	SCREW SEAT		1
CB1201	COLLAR		1	OA127A	O-RING	ARP568-127	1	WA1001	PUSHER		1
CC0302	CYLINDER		1	OA136A	O-RING	ARP568-136	3	WA1101	ROLLER		1
CC0801	END CAP		1	OB032A	O-RING	2.5×1.4	2	WA1201	ROLLER PIN		1
CC5401	CYLINDER CAP		1	OG075A	O-RING	G75	1	WA1301	ADJUSTABLE SEAT		1
CC5501	PISTON STOP		1	OP006A	O-RING	P6	2	WA1401	MAGAZINE RETAINER		1
CC5701	SPACER		1	OP009A	O-RING	P9	1	WA1501	SUPPORT		1
FA1401	LATCH		1	OP020A	O-RING	P20	1	WA1601	SAFETY		1
FA2001	SPRING		1	OP038A	O-RING	P38	1	WA1701	SAFETY GUIDE		1
FB2501	PISTON STOP		1	OP042A	O-RING	P42	1	WA1801	SAFETY GUIDE		1
FD1501	SPACER		1	OS050A	O-RING	S-50	1	WA1901	COMPRESSION SPRING		1
FD2501	COVER PLATE(A)		1	PA3901	PIN		1	WA2001	SPRING SEAT		1
FE1101	EXHAUST CAP		1	SA2301	PILOT VALVE		1	▲ WA2101	MAGAZINE SEAT		1
FE1201	EXHAUST CAP RING		1	SA2403	TRIGGER VALVE STEM		1	▲ WA4201	STOP PLATE		1
FF0901	PUSHER SPRING		1	SA2501	TRIGGER VALVE SEAT		1	YE2501	E-RING	φ 2.5	1
KF0516	FLAT HD.BOLT	M5×0.8—16L	1	SA2601	TRIGGER VALVE SEAT		1	YG0601	SPRING WASHER	φ 6	6
KM0306	HEX.SOC.HD.BOLT	M3×0.5—6L	1	SA3001	COMPRESSION SPRING		1	YL0610	LOCK NUT	M6×1.0	1
KM0310	HEX.SOC.HD.BOLT	M3×0.5—10L	1	SA3201	CONTACT LEVER		1	YW0301	FLAT WASHER	φ 3	1
KM0406	HEX.SOC.HD.BOLT	M4×0.7—6L	2	SA3301	TRIGGER		1	YW0601	FLAT WASHER	φ 6	1
KM0408	HEX.SOC.HD.BOLT	M4×0.7—8L	8	UL0103	BODY		1	YW1002	FLAT WASHER	φ 10(10×14)T=2mm	1
▲ KM0410	HEX.SOC.HD.BOLT	M4×0.7—10L	2	UL0201	SIDE PLATE(L.H.)		1				
KM0414	HEX.SOC.HD.BOLT	M4×0.7—14L	2	WA0101	DRIVER		1				

☆☆ If you need to order parts, please mark both Parts No. and Description. ☆☆