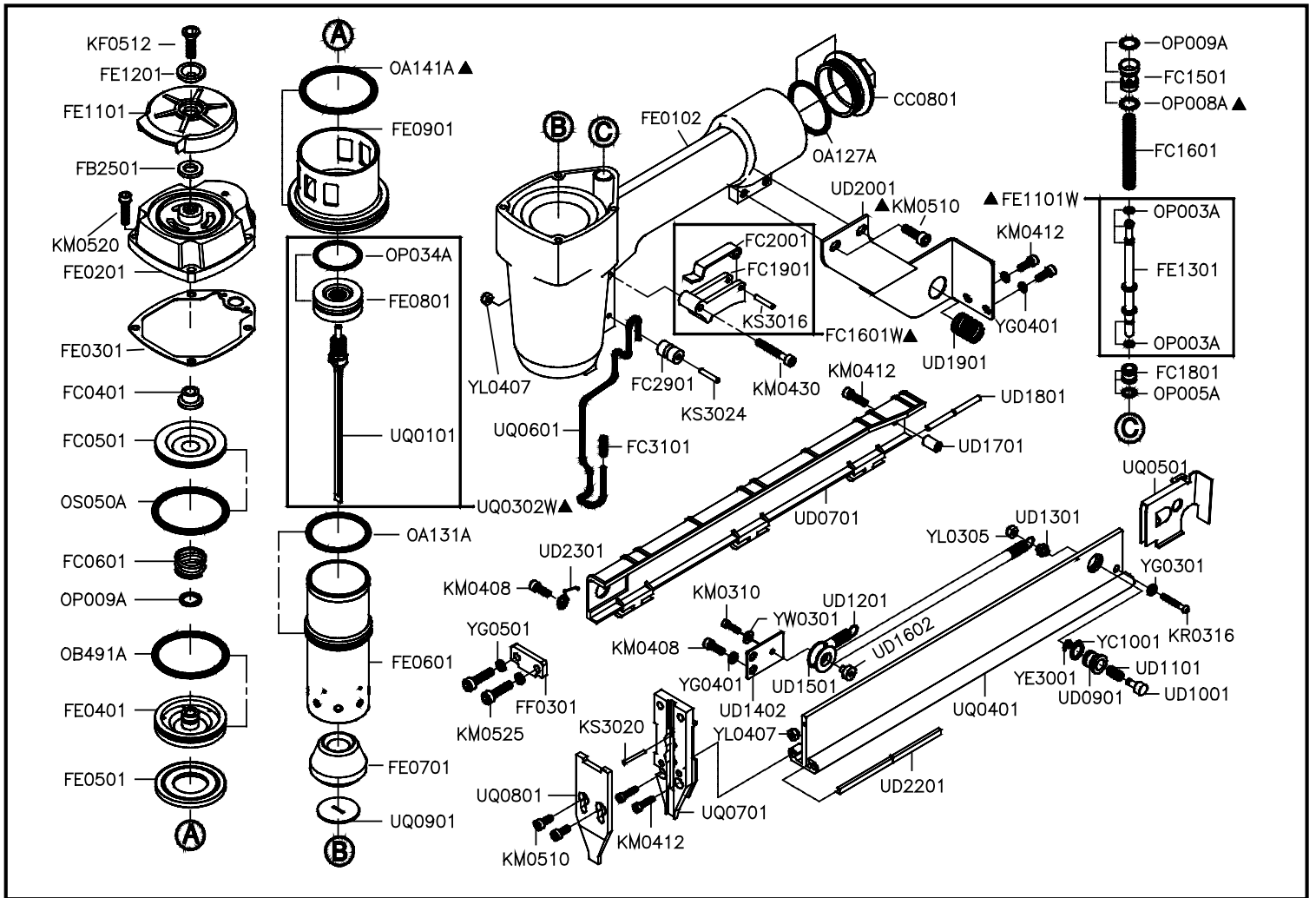


92/40B04 (UQ/S1-04)



Part_No	Description	Spec	Q'ty	Part_No	Description	Spec	Q'ty	Part_No	Description	Spec	Q'ty
CC0801	END CAP		1	KF0512	FLAT HD.BOLT	M5×0.8 - 12L	1	UD1301	PUSHER SPRING ANCHOR		1
FB2501	PISTON STOP		1	KM0310	HEX.SOC.HD.BOLT	M3×0.5 - 10L	1	UD1402	ROLLER SET		1
FC0401	PISTON STOP		1	KM0408	HEX.SOC.HD.BOLT	M4×0.7 - 8L	3	UD1501	ROLLER		1
FC0501	HEAD VALVE CAP		1	KM0412	HEX.SOC.HD.BOLT	M4×0.7 - 12L	5	UD1602	ROLLER ANCHOR		1
FC0601	COMPRESSION SPRING		1	KM0430	HEX.SOC.HD.BOLT	M4×0.7 - 30L	1	UD1701	DISTANCE SHAFT		1
FC1501	TRIGGER VALVE CAP		1	KM0510	HEX.SOC.HD.BOLT	M5×0.8 - 10L	4	UD1801	PIVOT		1
FC1601	COMPRESSION SPRING		1	KM0520	HEX.SOC.HD.BOLT	M5×0.8 - 20L	4	UD1901	COMPRESSION SPRING		1
FC1601W	TRIGGER ASSY.		1	KM0525	HEX.SOC.HD.BOLT	M5×0.8 - 25L	2	UD2001	SUPPORT		1
FC1801	TRIGGER VALVE SEAT		1	KR0316	BUTTON HD.BOLT	M3×0.5 - 16L	1	UD2201	UPPER RAIL		1
FC1901	TRIGGER		1	KS3016	SPRING PIN	3-16L	1	UD2301	SPRING		1
FC2001	CONTACT LEVER		1	KS3020	SPRING PIN	3-20L	1	UQ0101	DRIVER		1
FC2901	ROLLER		1	KS3024	SPRING PIN	3-24L	1	UQ0302W	DRIVER ASSY.		1
FC3101	COMPRESSION SPRING		1	OA127A	O-RING	ARP568-127	1	UQ0401	MAGAZINE SEAT		1
FE0102	BODY		1	OA131A	O-RING	ARP568-131	1	UQ0501	PUSHER		1
FE0201	CYLINDER CAP		1	OA141A	O-RING	ARP568-141	1	UQ0601	UPPER SAFETY		1
FE0301	CAP SEAL		1	OB491A	O-RING	49.1×2.5	1	UQ0701	GUIDE PLATE		1
FE0401	HEAD VALVE SEAT		1	OP003A	O-RING	P3	3	UQ0801	COVER PLATE(B)		1
FE0501	GASKET		1	OP005A	O-RING	P5	2	UQ0901	NOZZLE		1
FE0601	CYLINDER		1	OP008A	O-RING	P8	1	YC1001	C-RING	10	1
FE0701	BUMPER		1	OP009A	O-RING	P9	2	YE3001	E-RING	3.0	1
FE0801	MAIN PISTON		1	OP034A	O-RING	P34	1	YG0301	SPRING WASHER	3	1
FE0901	COLLAR		1	OS050A	O-RING	S-50	1	YG0401	SPRING WASHER	4	4
FE1101	EXHAUST CAP		1	UD0701	COVER MAGAZINE		1	YG0501	SPRING WASHER	5	2
FE1101W	TRIGGER VALVE ASSY.		1	UD0901	LATCH STUD BUSHING		1	YL0305	LOCK NUT	M3×0.5	1
FE1201	EXHAUST CAP RING		1	UD1001	STOP PIN		1	YL0407	LOCK NUT	M4×0.7	2
FE1301	TRIGGER VALVE STEM		1	UD1101	COMPRESSION SPRING		1	YW0301	FLAT WASHER	3	1
FF0301	COVER PLATE(A)		1	UD1201	PULL SPRING		1				

If you need to order parts, please mark both Parts No. and Description.