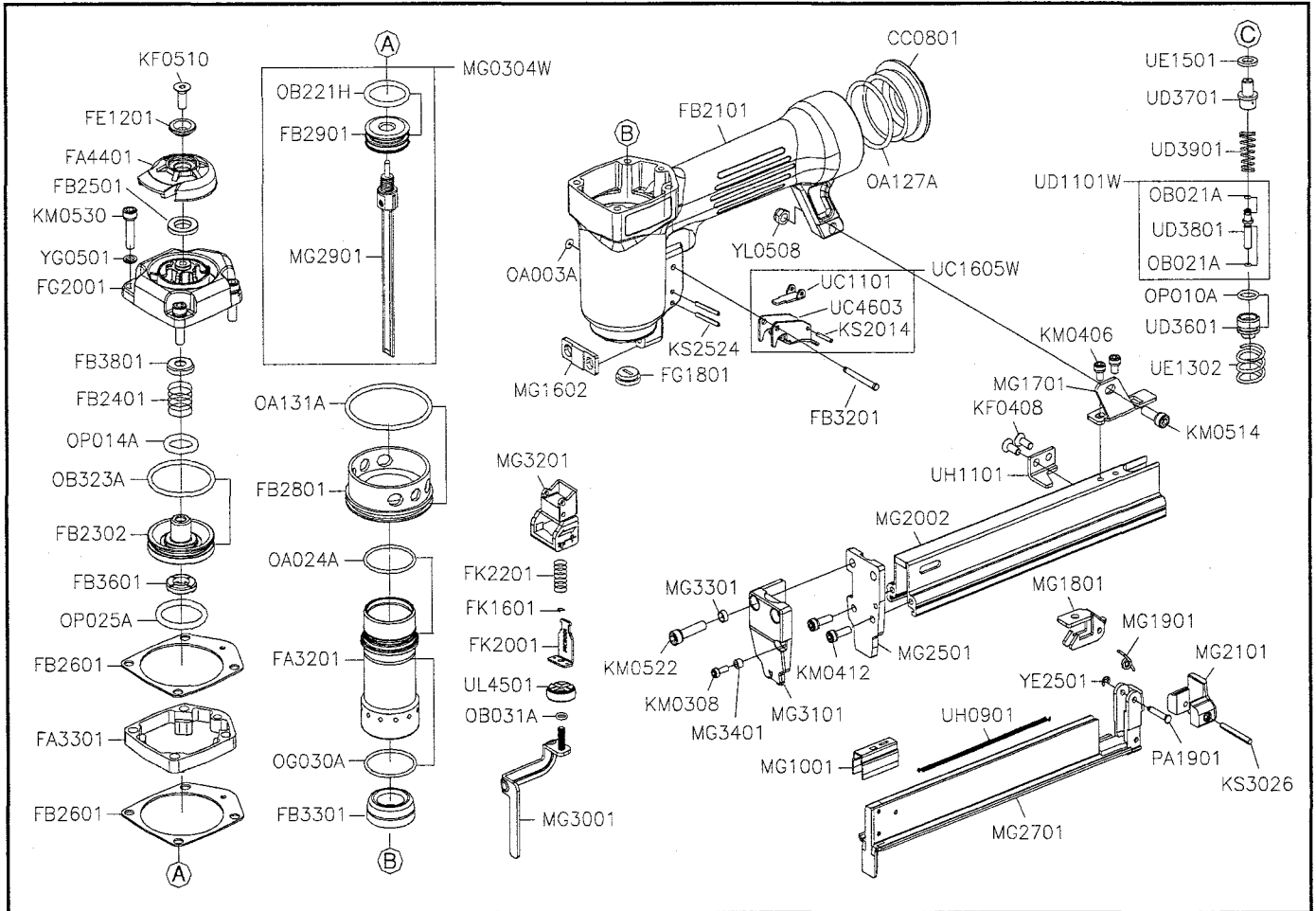


92/25C05 (MG/S2-05)



Part_No	Description	Spec	Q'ty	Part_No	Description	Spec	Q'ty	Part_No	Description	Spec	Q'ty
CC0801	END CAP		1	KM0514	HEX.SOC.HD.BOLT	M5×0.8-14L	1	OB021A	O-RING	1.8×1.2	2
FA3201	CYLINDER		1	KM0522	HEX.SOC.HD.BOLT	M5×0.8-22L	2	OB031A	O-RING	3×1	1
FA3301	CAP		1	KM0530	HEX.SOC.HD.BOLT	M5×0.8-30L	4	OB221H	O-RING	22.0×3.0	1
FA4401	EX-HAUST CAP		1	KS2014	SPRING PIN	φ 2-14L	1	OB323A	O-RING	31.8×2.4	1
FB2101	BODY		1	KS2524	SPRING PIN	φ 2.5-24L	2	OG030A	O-RING	G30	1
FB2302	HEAD VALVE PISTON		1	KS3026	SPRING PIN	φ 3-26L	1	OP010A	O-RING	P10	1
FB2401	COMPRESSION SPRING		1	MG0304W	DRIVER ASSY.		1	OP014A	O-RING	P14	1
FB2501	PISTON STOP		1	MG1001	PUSHER		1	OP025A	O-RING	P25(1A)	1
FB2601	CAP SEAL		2	MG1602	GUIDE PLATE		1	PA1901	PIN		1
FB2801	COLLAR		1	MG1701	SUPPORT		1	UC1101	CONTACT LEVER		1
FB2901	MAIN PISTON		1	MG1801	LATCH		1	UC1605W	TRIGGER ASSY.		1
FB3201	PIN		1	MG1901	SPRING		1	UC4603	TRIGGER		1
FB3301	BUMPER		1	MG2002	MAGAZINE CAP		1	UD1101W	TRIGGER VALVE ASSY.		1
FB3601	PISTON STOP		1	MG2101	COVER		1	UD3601	TRIGGER VALVE GUIDE		1
FB3801	PISTON STOP		1	MG2501	COVER PLATE		1	UD3701	TRIGGER VALVE SEAT		1
FE1201	EXHAUST CAP RING		1	MG2701	MAGAZINE SEAT SET		1	UD3801	TRIGGER VALVE STEM		1
FG1801	NOZZLE		1	MG2901	DRIVER SET		1	UD3901	COMPRESSION SPRING		1
FG2001	CYLINDER CAP		1	MG3001	WORK CONTACTING ELEMENT		1	UE1302	COMPRESSION SPRING		1
FK1601	C-RING		1	MG3101	PLATE		1	UE1501	SEAL		1
FK2001	SAFETY		1	MG3201	SAFETY SET		1	UH0901	PULL SPRING		1
FK2201	COMPRESSION SPRING		1	MG3301	CAP		2	UH1101	MAGAZINE RETAINER		1
KF0408	FLAT HD.BOLT	M4×0.7-8L	2	MG3401	CAP		1	UL4501	ADJUSTING WHEEL		1
KF0510	FLAT HD.BOLT	M5×0.8-10L	1	OA003A	O-RING	ARP568-003	1	YE2501	E-RING	φ 2.5	1
KM0308	HEX.SOC.HD.BOLT	M3×0.5-8L	1	OA024A	O-RING	ARP568-024	1	YG0501	SPRING WASHER	φ 5	4
KM0406	HEX.SOC.HD.BOLT	M4×0.7-6L	2	OA127A	O-RING	ARP568-127	1	YL0508	LOCK NUT	M5×0.8	1
KM0412	HEX.SOC.HD.BOLT	M4×0.7-12L	2	OA131A	O-RING	ARP568-131	1				

★☆☆ If you need to order parts, please mark both Parts No. and Description.☆☆★