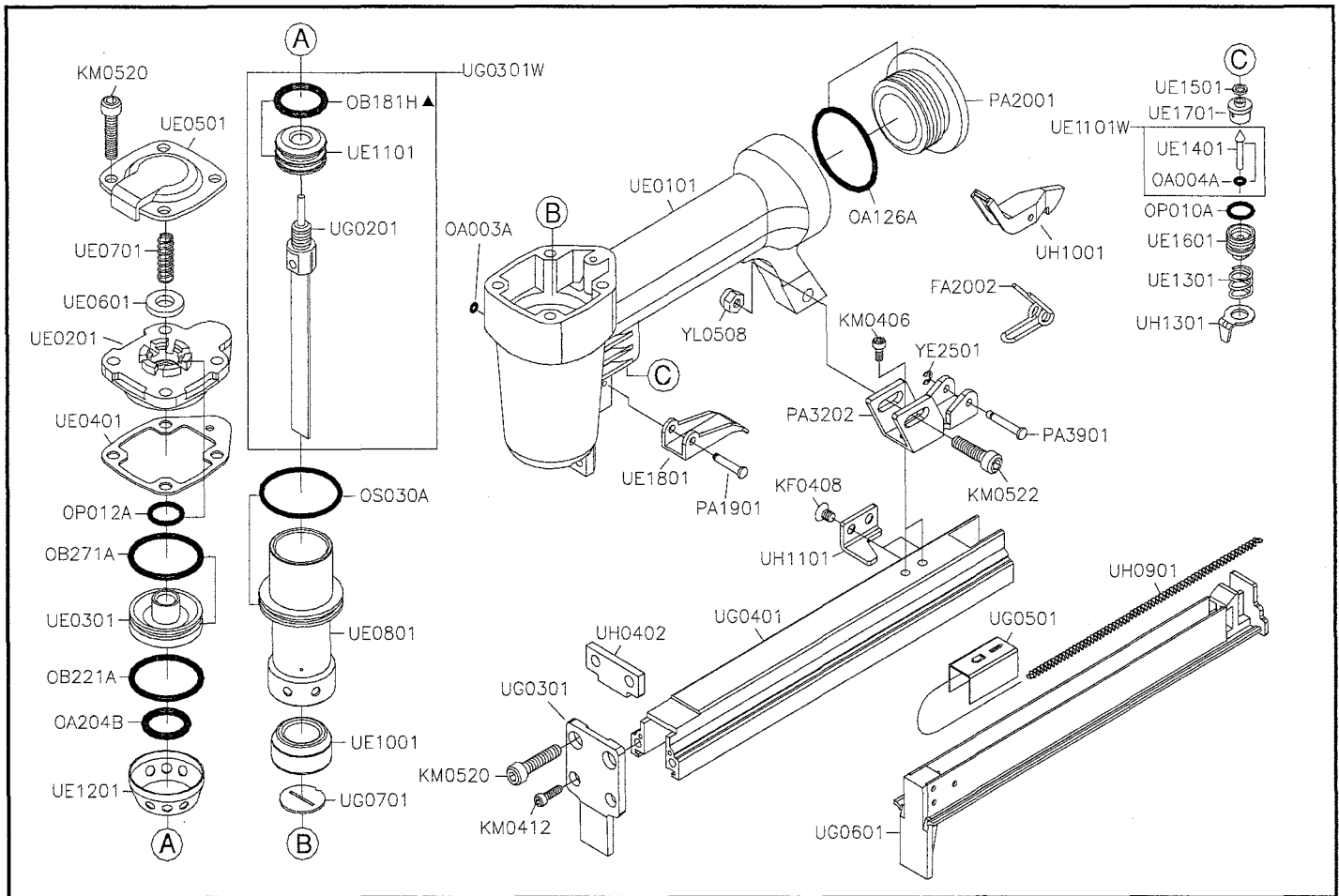


80/16E01 (UG/E1-01)



Part_No	Description	Spec	Q'ty	Part_No	Description	Spec	Q'ty	Part_No	Description	Spec	Q'ty
FA2002	SPRING		1	PA3202	SUPPORT		1	UE1701	TRIGGER VALVE SEAT		1
KF0408	FLAT HD.BOLT	M4×0.7—8L	2	PA3901	PIN		1	UE1801	TRIGGER		1
KM0406	HEX.SOC.HD.BOLT	M4×0.7—6L	2	UE0101	BODY		1	UG0201	DRIVER SET		1
KM0412	HEX.SOC.HD.BOLT	M4×0.7—12L	2	UE0201	CYLINDER CAP		1	UG0301	COVER PLATE		1
KM0520	HEX.SOC.HD.BOLT	M5×0.8—20L	6	UE0301	HEAD VALVE PISTON		1	UG0301W	DRIVER ASSY.		1
KM0522	HEX.SOC.HD.BOLT	M5×0.8—22L	1	UE0401	CAP SEAL		1	UG0401	MAGAZINE CAP		1
OA003A	O-RING	ARP568-003	1	UE0501	EXHAUST CAP		1	UG0501	PUSHER		1
OA004A	O-RING	ARP568-004	1	UE0601	PISTON STOP		1	UG0601	MAGAZINE SEAT SET		1
OA126A	O-RING	ARP568-126	1	UE0701	COMPRESSION SPRING		1	UG0701	NOZZLE		1
OA204B	O-RING	ARP568-204	1	UE0801	CYLINDER		1	UH0402	GUIDE PLATE		1
▲OB181H	O-RING	17.7×3.0	1	UE1001	BUMPER		1	UH0901	PULL SPRING		1
OB221A	O-RING	22×3	1	UE1101	MAIN PISTON		1	UH1001	LATCH		1
OB271A	O-RING	26.8×2.4	1	UE1101W	TRIGGER VALVE ASSY.		1	UH1101	MAGAZINE RETAINER		1
OP010A	O-RING	P10	1	UE1201	COLLAR		1	UH1301	TRIGGER STOP		1
OP012A	O-RING	P12	1	UE1301	COMPRESSION SPRING		1	YE2501	E-RING	§ 2.5	1
OS030A	O-RING	S-30	1	UE1401	TRIGGER VALVE STEM		1	YL0508	LOCK NUT	M5×0.8	1
PA1901	PIN		1	UE1501	SEAL		1				
PA2001	END CAP		1	UE1601	TRIGGER VALVE GUIDE		1				

★☆☆ If you need to order parts, please mark both Parts No. and Description. ☆★