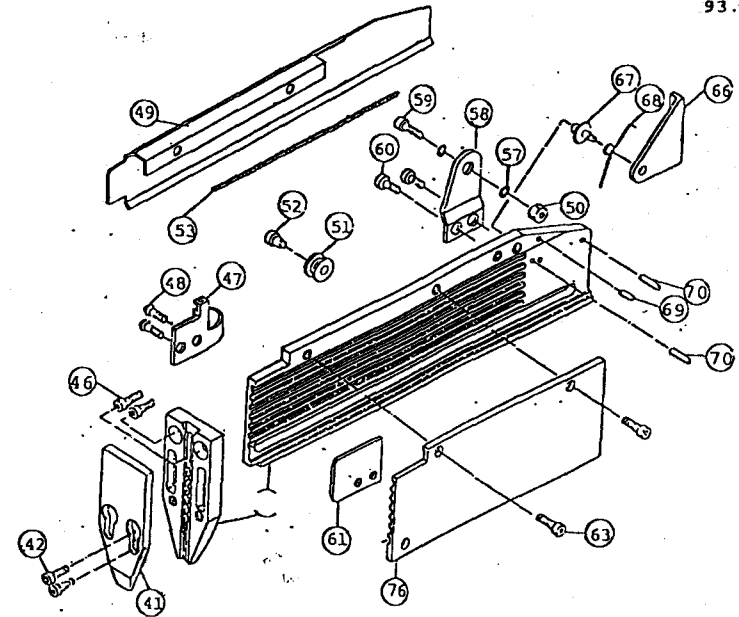
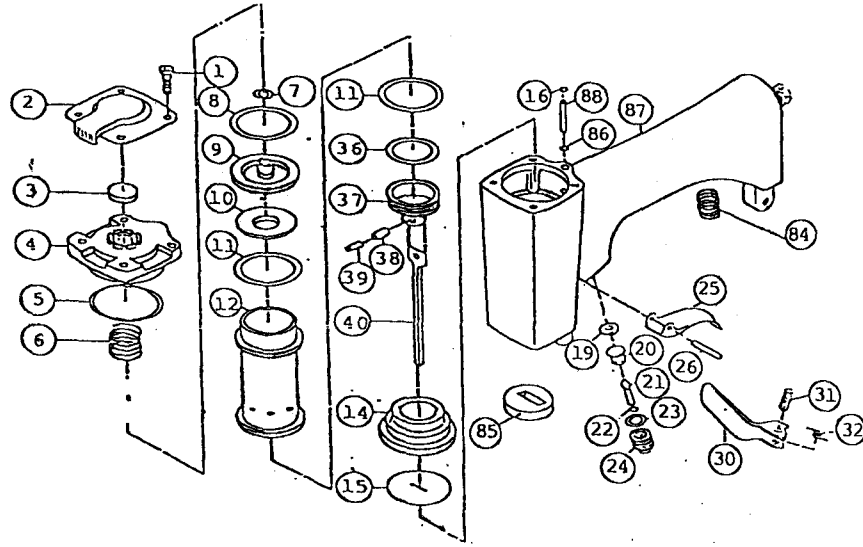


Air Tacker  
Model No.  
ATK-0230 / ATK-0230S

93.07



Item No.	Part No.	Description	Qty
1	M-D0520	Bolt M5x20	4
2	K0230AF106	Exhaust Cover	1
3	K0230AA103	Exhaust Bumper	1
4	K0230AA101	Head Cap	1
5	O-38612	O-Ring	1
6	K0230AA102	Spring	1
7	O-P9	O-Ring	1
8	O-32430	O-Ring	1
9	K0230AA201	Valve Piston	1
10	K0230AA202	Valve Piston Stop	1
11	O-31819	O-Ring	2
12	K0230AB101	Main Cylinder	1
14	K0230AB102	Driver Bumper	1
15	K0230AF102	Steel Driver Plate	1
16	O-04219	O-Ring	1
19	K0230AF108	Nylon Washer	1
20	K0230AE201	Trigger Valve Cage	1
21	K0230AE301	Trigger Valve Stem	1
22	O-03615	O-Ring	1
23	O-11020	O-Ring	1
24	K0230AE101	Air Switch Cover	1
25	K0230AD101	Trigger	1

Item No.	Part No.	Description	Qty
26	P-S3022J	Roll Pin	1
36	O-22431	O-Ring	1
37	K0230AC102	Main Piston	1
38	P-84010J	Roll Pin	1
39	P-S2510J	Bit Pin	1
40	K0230AC101	Driver Blade	1
84	K0230AF110	Spring	1
85	K0230AF105	Plastic Driver Guide	1
86	O-P3	O-Ring	1
87	K0230AF101	Body Housing	1
88	K0230AF104	Air Pipe	1
ATK-0230S:			
*30	K0230AD102	Secondary Trigger	1
*31	P-S3016J	Spring Pin	1
*32	K0230AF109	Spring	1

Item No.	Part No.	Description	Qty
41	K0230BW101	Main Bit Guide	1
42	M-D0512	Bolt M5x12	2
46	M-D0516	Bolt M5x16	2
47	K0230BP101	Pusher	1
48	M-D0406	Bolt M4x6	2
49	K0230BP114	Magazine Cover	1
50	N-5	Bolt M5	1
51	K0230BP302	Wheel	1
52	K0230BP303	Roller of Wheel	1
53	K0230BP105	Spring	1
57	W-5	Spring Washer	2
58	K0230BW108	Supporter of Magazine	1
59	M-D0522	Bolt M5x22	1
60	M-D0506	Bolt M5x6	2
61	K0230BP104	Brads Feeder	1
63	M-D0512	Bolt M5x12	2
66	K0230BP401	Pawl of Feeder	1
67	K0230BP403	Pin	1
68	K0230BP404	Spring of Pawl	1
69	P-S3008	Spring Pin	1
70	P-S3012	Spring Pin	2
76	K0230BP102	Conversion Board	1

Item No.	Part No.	Description	Qty
	K0230BP200	Guide Board Unit	1