

2/53

AMA0750C
(ATM-0750)

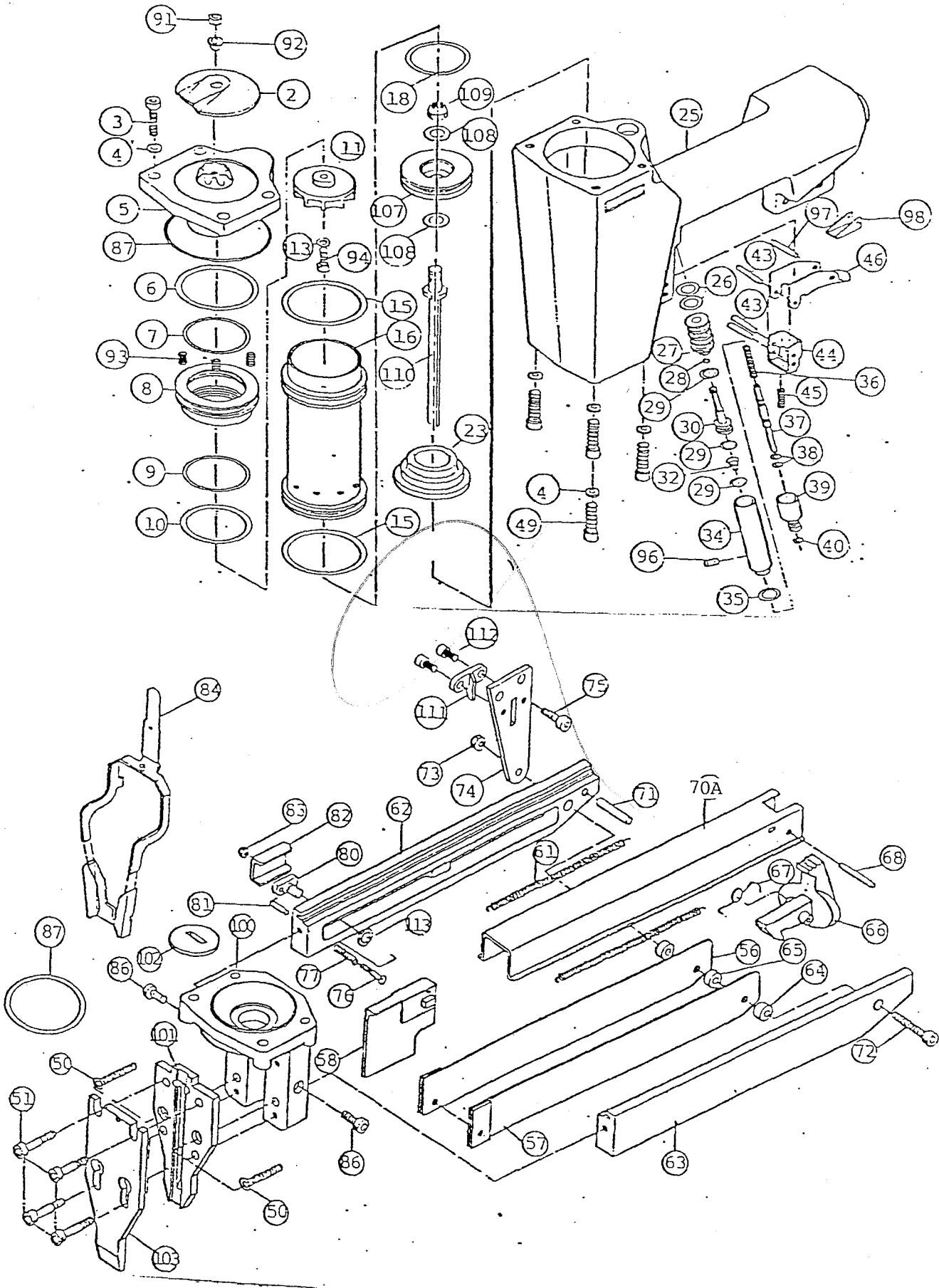
#D70501

ITM NO	OLD PART NO	NEW PART NO	DESCRIPTION	QTY
2	M0365AF106	BMAAF06000	Exhaust Cover	1
3	M-D0625	CMD06250	Bolt M6x25	4
4	W-6	CW0061108	Washer W6	8
5	M0365AA101	BMAAA01000	Body Cap	1
6	O-48933	COA489330	O-Ring	1
7	O-31920	COA319200	O-Ring	1
8	M0365AA201	BMAAA21000	Valve Piston	1
9	O-35020	COA350200	O-Ring	1
10	O-42040	COA420400	O-Ring	1
11	M0365AA104	BMAAA04000	Valve Guide	1
13	M0365AA105	CW0061310	Washer	1
15	O-47025	COA470250	O-Ring	2
16	M0365AB101	BMAAB01000	Main Cylinder	1
18	O-P38	COP38	O-Ring	1
23	M0365AB102	BMAAB02000	Main Piston Stop	1
25	M0365AF101	BMAAF01000	Body Housing	1
26	O-P12	COP12	O-Ring	2
27	M0365AE102	BMAAE02000	Valve Casing	1
28	O-P3	COP3	O-Ring	1
29	O-P9	COP9	O-Ring	3
30	M0365AE401	BMAAE41000	Valve Pole	1
32	M0365AE402	BMAAE42000	Spring	1
34	M0365AE501	BMAAE51000	Air Pipe	1
35	O-09210	COA092100	O-Ring	1
36	M0365AE601	BMAAE61000	Spring	1
37	M0365AE301	BMAAE31000	Stem of Air Switch	1
38	O-02514	COA025140	O-Ring	2
39	M0365AE202	BMAAE22000	Air Switch Housing	1
40	O-05219	COA052190	O-Ring	1
43	P-S3024J	CPJ3024	Spring Pin	3
44	M0365BW115	BMAAW15000	Guide of Actuate Arm	1
45	M0365BW116	BMAAW16000	Spring	1
46	M0365AD101	BMAAD01000	Main Trigger	1
49	M-D0630	CMD06300	Bolt M6x30	4
50	M-R0535	CMR05350	Bolt M5x35	2
51	M-D0525	CMD05250	Bolt M5x25	4
56	M0750BW118	BMADW18000	Guide Board, Left	1
57	M0750BW117	BMADW17000	Guide Board, Right	1
58	M0750BP104	BMADP04000	Brads Feeder	1
61	M0365BP105	BMAAP05000	Spring	2
62	M0365BQ101	BMAAQ01000	Magazine, Left	1

ITM NO	OLD PART NO	NEW PART NO	DESCRIPTION	QTY
63	M0365BW107	BMAAW07000	Magazine, Right	1
64	M0750BW111	BMADW11000	Bolster	2
65	M0750BW112	BMADW12000	Bolster	1
66	M0365BP401	BMAAP41000	Magazine Lock	1
67	M0365BP404	BMAAP44000	Torsional Spring	1
68	P-P4028	CPP4028	Roller Pin	1
70	M0365BR100	BMAAR01000	Magazine Cover	1
71	P-P4030	CPP4030	Roller Pin	1
72	M-D0545	CMD05450	Bolt M5x45	1
73	N-5	CN1051	Hex Bolt M5	1
74	M0365BW108	BMAAW08000	Supporter	1
75	M-D0612	CMD06120	Bolt M6x12	2
76	M-R0320	CMR03200	Bolt M3x20	1
77	M0365BQ103	BMAAQ03000	Spring	1
80	M0365BQ102	BMAAQ02000	Contact Arm Lock	1
81	P-S2510J	CPJ2510	Pin	1
82	M0365BQ104	BMAAQ04000	Lock Board	1
83	N-3	CN1031	Hex Bolt M3	1
84	M0750BW201	BMADW31000	Contact Arm	1
86	M-D0512	CMD05120	Bolt M5x12	2
87	O-49214	COA492140	O-Ring	2
91	N-6	CN1061	Bolt M6	1
92	M0365AF107	BMAAF07000	Washer	1
93	M0365AA102	BMAAA02000	Spring	3
94	M-D0640	CMD06400	Bolt M6x40	1
97	P-S3016J	CPJ3016	Spring Pin	1
98	M0365AD102	BMAAD02000	Secondary Trigger	1
100	M0365AF103	BMAAF03000	Driving Seat	1
101	M0750BP202	BMADP22000	Secondary Bit Guide	1
102	M0750AF102	BMADP02000	Driver Guide	1
103	M0750BW101	BMADW01000	Main Bit Guide	1
107	M0750AC102	BMADC02000	Main Piston	1
108	M0750AC104	CW0101610	Washer	1
109	M0750AC103	BMADC03000	Bolt	1
110	M0750AC101	BMADC01000	Driver Blade	1
111	M0750BW113	BMADW13000	Attachment	1
112	M-D0510	CMD05100	Bolt M5x10	1
113	C-S10	CCS10	C-Ring	1
200	M0750AC000	BMADC00000	Driver Assembly	1
201	M0365AE000	BMAAE00000	Air Switch Unit	1

2/53

Air T-Nailer
Model No. ATM-0750



ATM-0750

Gauge: 13

Shank: \varnothing 2.2mm (0.083")

Length: 18-45mm (3/4"-1 3/4") for H/S-Nail

25-64mm (1"-2 1/2") for T-Nail

ITEM NO.	PART NO.	DESCRIPTION	QTY
2	M0365AF106	Exhaust Cover	1
3	M-D0625	Bolt M6x25	4
4	W-6	Washer	8
5	M0365AA101	Body Cap	1
6	O-50033	O-Ring	1
7	O-31920	O-Ring	1
8	M0365AA201	Valve Piston	1
9	O-35020	O-Ring	1
10	O-42040	O-Ring	1
11	M0365AA104	Valve Guide	1
13	M0365AA105	Washer	1
15	O-47025	O-Ring	2
16	M0365AB101	Main Cylinder	1
18	O-P38	O-Ring	1
23	M0365AB102	Main Piston Stop	1
25	M0365AF101	Body House	1
26	O-P12	O-Ring	2
27	M0365AE102	Valve Casing	1
28	O-P3	O-Ring	1
29	O-P9	O-Ring	3
30	M0365AE401	Valve Pole	1
32	M0365AE402	Spring	1
34	M0365AE501	Valve Body	1
35	O-09210	O-Ring	1
36	M0365AE601	Spring	1
37	M0365AE301	Stem of Air Switch	1
38	O-02614	O-Ring	2
39	M0365AE202	Air Switch Housing	1
40	O-05419	O-Ring	1
43	P-S3024J	Spring Pin	3
44	M0365BW115	Guide of Actuate Arm	1
45	M0365BW116	Spring	1
46	M0365AD101	Main Trigger	1
49	M-D0630	Bolt M6x30	4
50	M-R0535	Bolt MD5x35	2
51	M-D0525	Bolt M5x25	4
56	M0750BW118	Magazine Guide Board	1
57	M0750BW117	Magazine Guide Board	1
58	M0750BP104	Nail Feeder	1
61	M0365BP105	Spring	2

ITEM NO.	PART NO.	DESCRIPTION	QTY
62	M0365BQ101	Magazine, Left	1
63	M0365BW107	Magazine, Right	1
64	M0750BW111	Bolster	2
65	M0750BW112	Bolster	1
66	M0365BP401	Magazine Lock	1
67	M0365BP404	Torsional Spring	1
68	P-P0428	Roller Pin	1
70A	M0365BR100	Magazine Cover	1
71	P-P0430	Roller Pin	1
72	M-D0545	Bolt M5x45	1
73	N-5	Hex Nut	1
74	M0365BW108	Supporter	1
75	M-D0612	Bolt M6x12	2
76	M-R0320	Bolt MD3x20	1
77	M0365BQ103	Spring	1
80	M0365BQ102	Contact Arm Lock	1
81	P-S2510J	Pin	1
82	M0365BQ104	Lock Board	1
83	N-3	Hex Nut	1
84	M0750BW201	Contact Arm	1
86	M-D0510	Bolt M5x12	2
87	O-49214	O-Ring	2
91	N-6	Bolt	1
92	M0365AF107	Washer	1
93	M0365AA102	Spring	3
94	M-D0640	Bolt M6x40	1
97	P-S0316J	Spring Pin	1
98	M0365AD102	Secondary Trigger	1
100	M0365AF103	Driving Seat	1
101	M0750BP202	Secondary Bit Guide	1
102	M0750AF102	Driver Guide	1
103	M0750BW101	Main Bit Guide	1
107	M0750AC102	Main Piston	1
108	M0750AC104	Washer	2
109	M0750AC103	Bolt	1
110	M0750AC101	Driver Blade	1
111	M0750BW113	Attachment	1
112	M-D0510	Bolt M5x10	2
113	C-S10	C-Ring	1