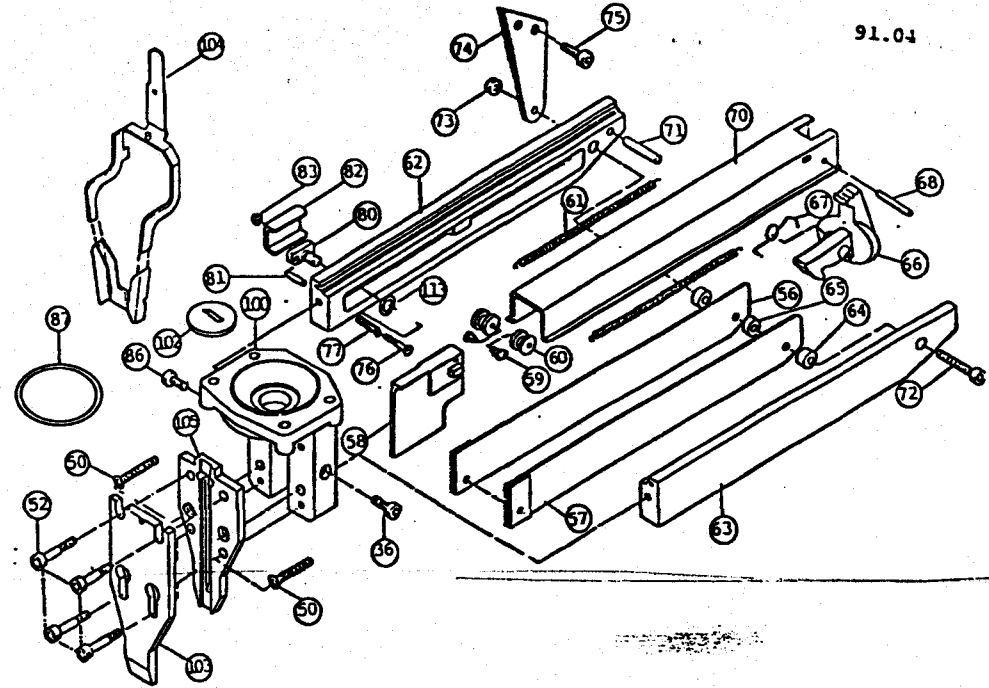
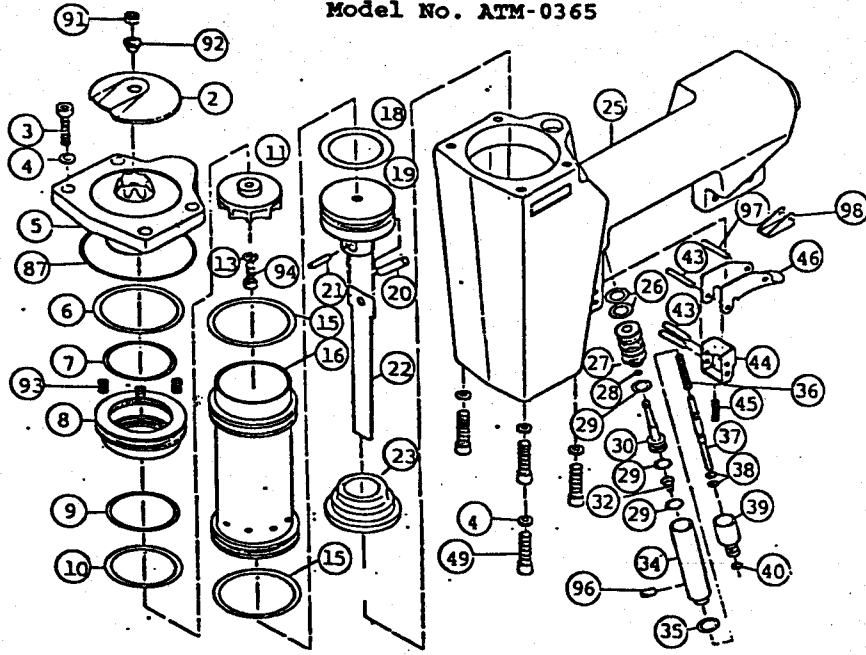


Air Tacker
Model No. ATM-0365



91.04

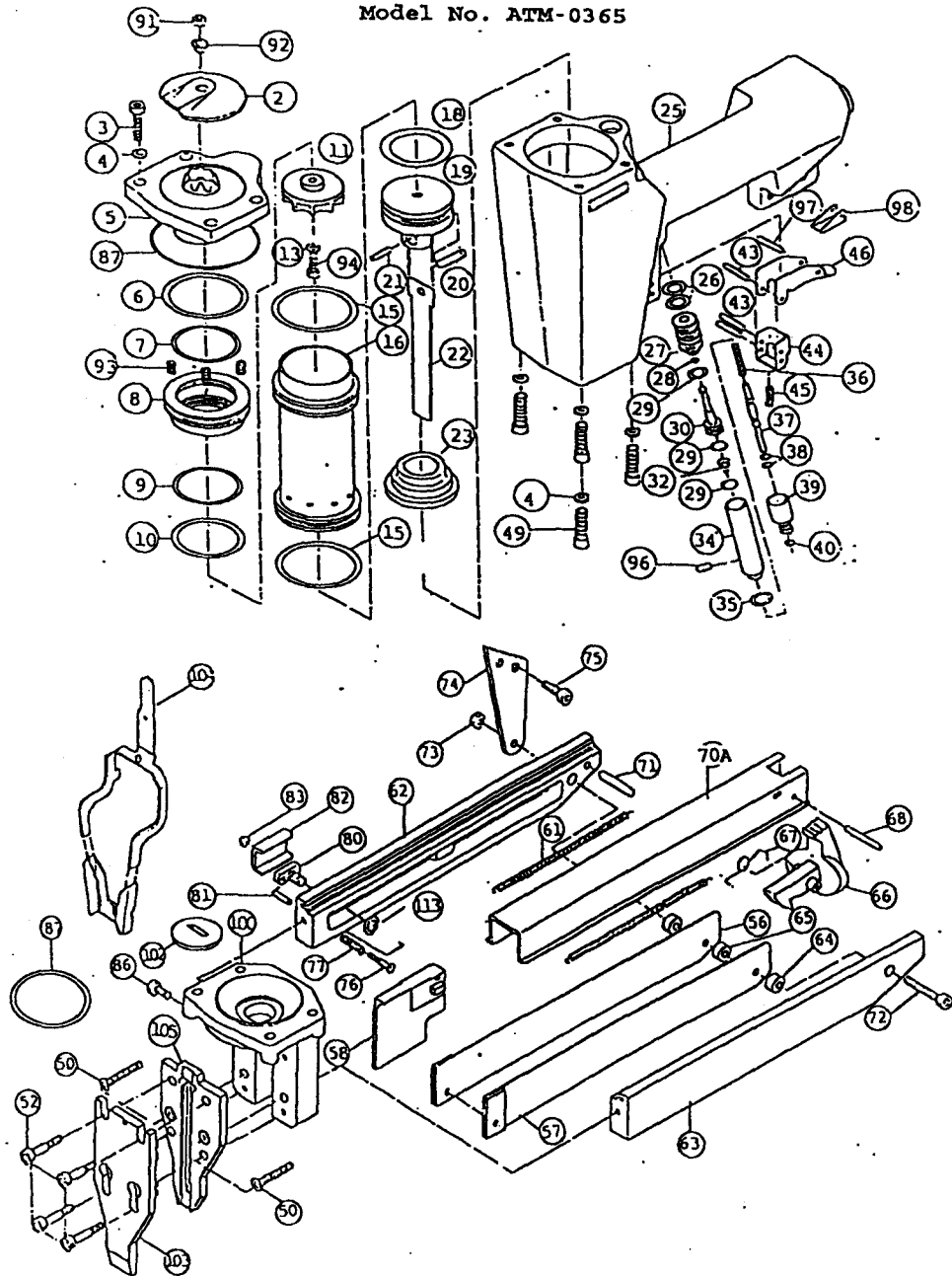
Item No.	Part No.	Description	Qty
2	430600	Exhaust Cover	1
3	M625	Bolt M6x25	4
4	430601	Washer (W6)	8
5	430602	Body Cap	1
6	O-5033	O-Ring	1
7	O-3220	O-Ring	1
8	430603	Valve Piston	1
9	O-3520	O-Ring	1
10	O-4240	O-Ring	1
11	430604	Valve Guide	1
13	430605	Washer	1
15	O-4725	O-Ring	2
16	430606	Main Cylinder	1
18	P38	O-Ring	1
19	430607	Main Piston	1
20	SP516J	Spring Pin	1
21	SP316J	Spring Pin	1
22	440309	Driver Blade	1
23	430610	Main Piston Stop	1
25	430612	Body Housing	1
26	P12	O-Ring	2
27	430613	Valve Casing	1

Item No.	Part No.	Description	Qty
28	P3	O-Ring	1
29	P9	O-Ring	3
30	430614	Valve Pole	1
32	430615	Spring	1
34	430616	Valve Body	1
35	O-1210	O-Ring	1
36	430617	Spring	1
37	430618	Stem of Air Switch	1
38	NR6207	O-Ring	2
39	430619	Air Switch Housing	1
40	O-0515	O-Ring	1
43	SP325	Spring Pin	3
44	430622	Guide of Actuate Arm	1
45	430623	Spring	1
46	430624	Main Trigger	1
49	M630	Bolt M5x30	4
87	O-5015	O-Ring	2
91	M6	Bolt	1
92	430651	Washer	1
93	430652	Spring	3
94	M640	Bolt M6x40	1

Item No.	Part No.	Description	Qty
50	MD535	Bolt MD5x35	2
52	M525	Bolt M5x25	4
56	440329	Magazine Guide Board	1
57	440330	Magazine Guide Board	1
58	440331	Brads Feeder	1
59	430632	Roller	2
60	430633	Wheel	2
61	430634	Spring	2
62	430635	Magazine, Left	1
63	430636	Magazine, Right	1
64	440337	Bolster	2
65	440338	Bolster	1
66	430639	Magazine Lock	1
67	430640	Torsional Spring	1
68	430641	Roller Pin	1
70	440343	Magazine Cover	1
71	430644	Roller Pin	1
72	M545	Bolt M5x45	1
73	M5	Hex Bolt	1
74	430645	Supporter	1
75	MD612	Bolt MD6x12	2
76	MD320	Bolt MD3x20	1

Item No.	Part No.	Description	Qty
77	430646	Spring	1
80	430647	Contact Arm Lock	1
81	SP2510	Pin	1
82	430648	Lock Board	1
83	M3	Hex Bolt	1
86	M512	Bolt M5x12	2
96	SS405	Set Screw M4x5	1
97	SP316	Spring Pin	1
98	430653	Secondary Trigger	1
100	440354	Driving Seat	1
102	440356	Driver Guide	1
103	440357	Main Bit Guide	1
104	430649	Contact Arm	1
105	440358	Secondary Bit Guide	1
113	S10	C-Ring	1

Air Tacker
Model No. ATM-0365



Model No. ATM-0365

Gauge: 16
Shank: 1.4x1.6mm
Length: 25-64mm (1"-2 1/2")

ITEM NO.	PART NO.	DESCRIPTION	QTY
2	M0365AF106	Exhaust Cover	1
3	M-D0625	Bolt M6x25	4
4	W-6	Washer (W6)	8
5	M0365AA101	Body Cap	1
6	O-50033	O-Ring	1
7	O-31920	O-Ring	1
8	M0365AA201	Valve Piston	1
9	O-35020	O-Ring	1
10	O-42040	O-Ring	1
11	M0365AA104	Valve Guide	1
13	M0365AA105	Washer	1
15	O-47025	O-Ring	2
16	M0365AB101	Main Cylinder	1
18	O-P38	O-Ring	1
19	M0365AC102	Main Piston	1
20	P-S5016J	Spring Pin	1
21	P-S3016J	Spring Pin	1
22	M0365AC101	Driver Blade	1
23	M0365AB102	Main Piston Stop	1
25	M0365AF101	Body Housing	1
26	O-P12	O-Ring	2
27	M0365AE102	Valve Casing	1
28	O-P3	O-Ring	1
29	O-P9	O-Ring	3
30	M0365AE401	Valve Pole	1
32	M0365AE402	Spring	1
34	M0365AE501	Valve Body	1
35	O-09210	O-Ring	1
36	M0365AE601	Spring	1
37	M0365AE301	Stem of Air Switch	1
38	O-02614	O-Ring	2
39	M0365AE202	Air Switch Housing	1
40	O-05419	O-Ring	1
43	P-S3024J	Spring Pin	3
44	M0365BW115	Guide of Actuate Arm	1
45	M0365BW116	Spring	1
46	M0365AD101	Main Trigger	1
49	M-D0630	Bolt M6x30	4
50	M-M0535	Bolt M5x35	2

ITEM NO.	PART NO.	DESCRIPTION	QTY
52	M-D0525	Bolt M5x25	4
56	M0365BW118	Magazine Guide Board	1
57	M0365BW117	Magazine Guide Board	1
58	M0365BP104	Brads Feeder	1
61	M0365BP105	Spring	2
62	M0365BO101	Magazine, Left	1
63	M0365BW107	Magazine, Right	1
64	M0365BW111	Bolster	2
65	M0365BW112	Bolster	1
66	M0365BP401	Magazine Lock	1
67	M0365BP404	Torsional Spring	1
68	P-P4028	Roller Pin	1
70A	M0365BR100	Magazine Cover	1
71	P-P4030	Roller Pin	1
72	M-D0545	Bolt M5x45	1
73	N-5	Hex Bolt	1
74	M0365BW108	Supporter	1
75	M-D0612	Bolt M6x12	2
76	M-R0320	Bolt MD3x20	1
77	M0365BO103	Spring	1
80	M0365BO102	Contact Arm Lock	1
81	P-S2510J	Pin	1
82	M0365BO104	Lock Board	1
83	N-3	Hex Bolt	1
86	M-D0512	Bolt M5x12	2
87	O-49214	O-Ring	2
91	N-6	Bolt	1
92	M0365AF107	Washer	1
93	M0365AA102	Spring	3
94	M-D0640	Bolt M6x40	1
97	P-S3016J	Spring Pin	1
98	M0365AD102	Secondary Trigger	1
100	M0365AF103	Driving Seal	1
102	M0365AF102	Driver Guide	1
103	M0365BW101	Main Bit Guide	1
104	M0365BW201	Contact Arm	1
105	M0365BP202	Secondary Bit Guide	1
113	C-S10	C-Ring	1