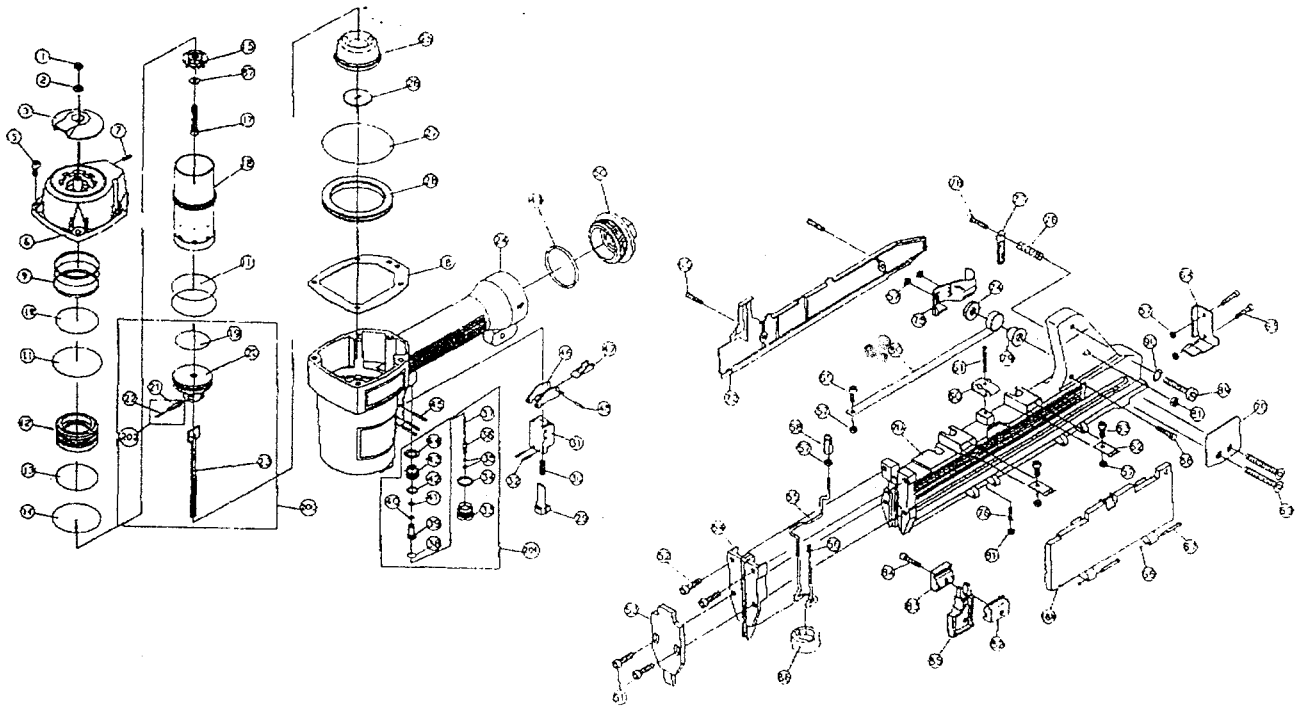


AFA0350C
(ATF-0350)

#D70225



(AFA0350C)

1 OF 2

(AFA0350C)

96/12

TERMS: FOB TAIWAN IN U.S.DOLLARS

96/12

ITM NO	OLD PART NO	NEW PART NO	DESCRIPTION	QTY
1	N-5	CN1051	Hex Bolt M5	1
2	M0365AF107	BMAAF07000	Washer	1
3	M0365AF106	BMAAF06000	Exhaust Cover	1
5	M-D0520	CMD05200	Bolt M5x20	4
6	F0350AA101	BFAAA01000	Body Cap	1
7	M-L0506	CNL05060	Set Screw SSSx6	1
8	F0350AF114	BFAAF14000	Seal	1
9	F0350AA102	BFAAA02000	Spring	1
10	O-26924	COA269240	O-Ring	1
11	O-45524	COA455240	O-Ring	3
12	F0350AA201	BFAAA21000	Valve Piston	1
13	O-29919	COA299190	O-Ring	1
14	O-38440	COA384400	O-Ring	1
15	F0350AA104	BFAAA04000	Valve Guide	1
17	M-D0540	CMD05400	Bolt M5x40	1
18	F0350AB101	BFAAB01000	Main Cylinder	1
19	O-33335	COA333350	O-Ring	1
20	F0350AC102	BFAAC02000	Main Piston	1
21	P-S5014J	CPJ5014	Spring Pin 5x14	1
22	P-S3014J	CPJ3014	Spring Pin 3x14	1
23	F0350AC101	BFAAC01000	Driver Blade	1
24	F0350AF101	BFAAF01090	Body Housing	1
25	F0350AE102	BFAAE02000	Main Piston Stop	1
26	F0350AF102	BFAAF02000	Driver Guide	1
27	O-61624	COA616240	O-Ring	1
28	F0350AF111	BFAAF11000	Bolster	1
29	F0350BW202	BFAAW2000	Actuate Board	1
30	F0350BW203	BFAAW3000	Spring	1
31	F0350BW204	BFAAW34000	Guide of Actuate Board	1
32	P-S2008	CPS2008	Spring Pin 2x8	2
33	F0350AE101	BFAAE01000	Cabinet of Air Switch	1
34	O-16820	COA168200	O-Ring	1
35	O-02514	COA025140	O-Ring	2
36	F0350AE301	BFAAE31000	Stem of Air Switch	1
37	F0350AE601	BFAAE61000	Spring	1
38	O-P8	COP8	O-Ring	1
39	F0350AE401	BFAAE41800	Pole	1
40	O-05219	COA052190	O-Ring	1
41	O-P4	COP4	O-Ring	1
42	O-13514	COA135140	O-Ring	1
43	F0350AE201	BFAAE21000	Trigger Valve Housing	1
44	F0350AE602	BFAAE6000	Washer	1
45	P-S3024J	CPJ3024	Spring Pin 3x24	3
46	M0365AD101	BMAAD01000	Main Trigger	1

ITM NO	OLD PART NO	NEW PART NO	DESCRIPTION	QTY
47	M0365AD102	BMAAD02000	Secondary Trigger	1
48	P-S3016J	CPJ3016	Spring Pin 3x16	1
49	O-P38	COP38	O-Ring	1
50	F0350AF112	BFAAF12000	Rear Cap	1
51	M-D0514	CMD05140	Bolt M5x14	2
52	M-D0525	CMD05250	Bolt M5x25	2
53	F0350BW101	BFAAW01000	Main Bit Guide	1
54	F0350BP202	BFAAP22000	Secondary Bit Guide	1
55	F0350BW201	BFAAW21000	Contact Arm	1
56	F0350BW116	BFAAW16000	Spring of Contact Arm	1
57	N-4	CN1041	Hex Bolt M4	8
58	F0350BW205	BFAAW35000	Safety Adjustor	1
60	F0350BP109	BFAAP09000	Lock	1
61	M-S0327	CMS03271	Bolt M3x27	2
62	F0350BP108	BFAAP08000	Clip	1
63	M-R0408	CMR04080	Bolt M4x8	2
64	F0350RP115	BFAAP15000	Supplyment Steel Plate	1
65	M-R0410	CMR04100	Bolt M4x10	6
66	O-01415	COA014150	O-Ring	2
67	F0350BP113	BFAAP13000	Stem of Conversion Board	2
68	F0350BP102	BFAAP02000	Conversion Board	1
69	M-V0425	CMV04250	Bolt M4x25	2
70	F0350BP104	BFAAP04000	Brads Feeder	1
71	F0350BP201	BFAAP21000	Magazine Guide Board	1
72	F0350BP114	BFAAP14000	Magazine Cover	1
73	N-5	CN1051	Hex Bolt M5	1
74	F0350BP107	BFAAP07000	Bolster	1
75	F0350BP101	BFAAP01000	Pusher	1
76	M0365BQ103	BMAAQ03000	Spring	2
77	F0350BP111	BFAAP11000	Wrench Guard	1
78	M-R0314	CMR03140	Bolt M3x14	1
79	F0350BP106	BFAAP06000	Roller	1
80	F0350BP105	BFAAP05000	Spring Plate	1
81	N-3	CN1031	Hex Bolt M3	2
82	F0350BW302	BFAAW52000	Distance Attachment A	1
83	F0350BW303	BFAAW53000	Distance Attachment B	1
84	M-D0522	CMD05220	Bolt M5x22	1
85	F0350BW301	BFAAW51000	Guide Attachment	1
86	F0350BW206	BFAAW36000	Contact Arm Guard	1
87	M0365AA105	CW0061310	Washer	1