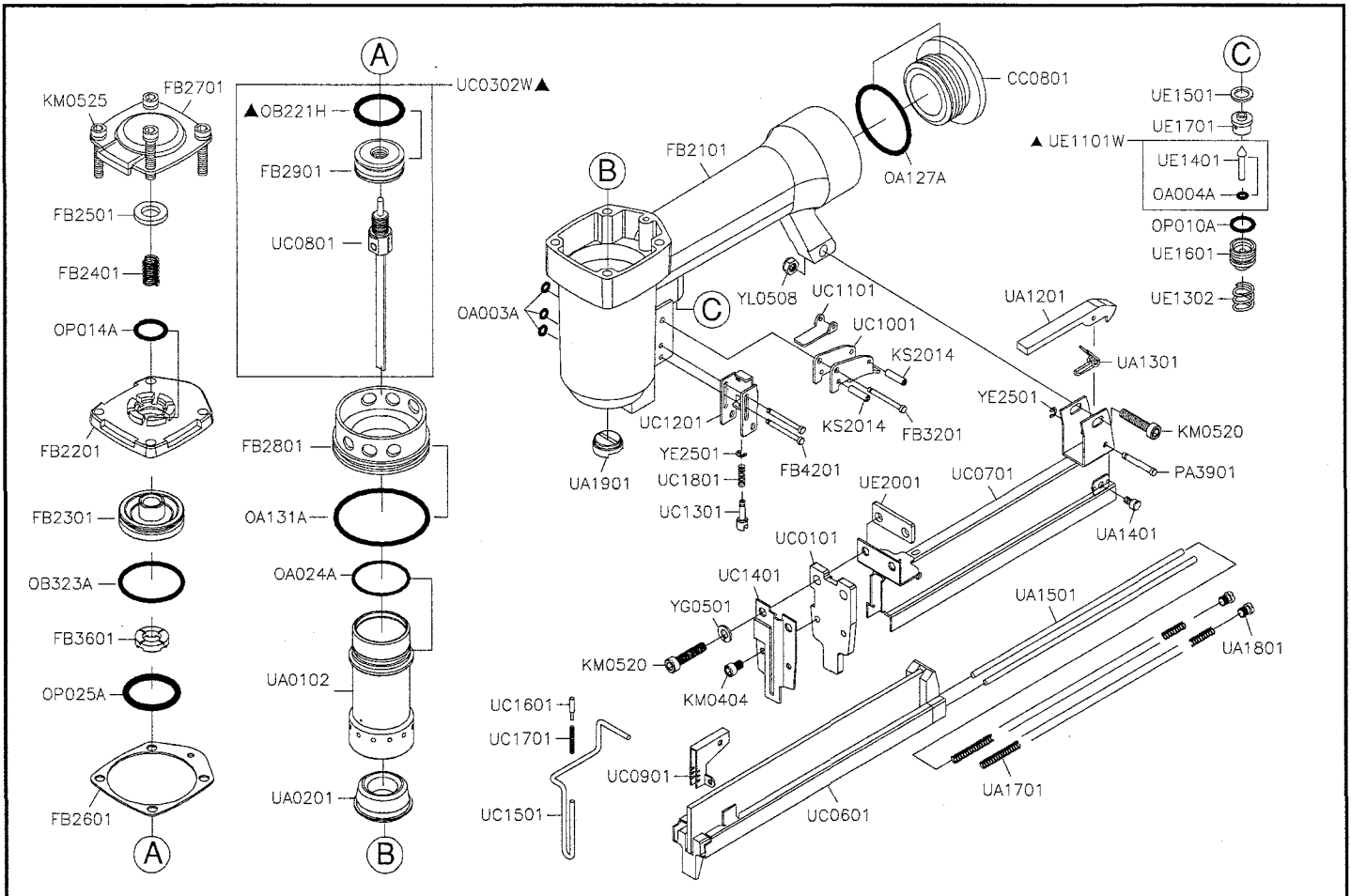


90/25C02 (UC/S2-02)



Part_No	Description	Spec	Q'ty	Part_No	Description	Spec	Q'ty	Part_No	Description	Spec	Q'ty
CC0801	END CAP		1	OA131A	O-RING	ARP568-131	1	UC0901	PUSHER		1
FB2101	BODY		1	▲OB221H	O-RING	22.0×3.0	1	UC1001	TRIGGER		1
FB2201	CYLINDER CAP		1	OB323A	O-RING	31.8×2.4	1	UC1101	CONTACT LEVER		1
FB2301	HEAD VALVE PISTON		1	OP010A	O-RING	P10	1	UC1201	SAFETY(B)		1
FB2401	COMPRESSION SPRING		1	OP014A	O-RING	P14	1	UC1301	SHAFT		1
FB2501	PISTON STOP		1	OP025A	O-RING	P25(1A)	1	UC1401	SAFETY GUIDE		1
FB2601	CAP SEAL		1	PA3901	PIN		1	UC1501	UPPER SAFETY		1
FB2701	EXHAUST CAP		1	UA0102	CYLINDER		1	UC1601	SPRING SHAFT		1
FB2801	COLLAR		1	UA0201	BUMPER		1	UC1701	COMPRESSION SPRING		1
FB2901	MAIN PISTON		1	UA1201	LATCH		1	UC1801	COMPRESSION SPRING		1
FB3201	PIN		1	UA1301	LATCH SPRING		1	▲UE1101W	TRIGGER VALVE ASSY.		1
FB3601	PISTON STOP		1	UA1401	RETAINER SCREW		2	UE1302	COMPRESSION SPRING		1
FB4201	PIN		1	UA1501	GUIDE STEM		2	UE1401	TRIGGER VALVE STEM		1
KM0404	HEX.SOC.HD.BOLT	M4×0.7—4L	2	UA1701	PUSHER SPRING		2	UE1501	SEAL		1
KM0520	HEX.SOC.HD.BOLT	M5×0.8—20L	3	UA1801	HEX.SOC.SET SCREW		2	UE1601	TRIGGER VALVE GUIDE		1
KM0525	HEX.SOC.HD.BOLT	M5×0.8—25L	4	UA1901	NOZZLE		1	UE1701	TRIGGER VALVE SEAT		1
KS2014	SPRING PIN	§ 2-14L	2	UC0101	COVER PLATE		1	UE2001	SPACER		1
OA003A	O-RING	ARP568-003	3	▲UC0302W	DRIVER ASSY.		1	YE2501	E-RING	§ 2.5	2
OA004A	O-RING	ARP568-004	1	UC0601	MAGAZINE SEAT SET		1	YG0501	SPRING WASHER	§ 5	2
OA024A	O-RING	ARP568-024	1	UC0701	MAGAZINE CAP SET		1	YL0508	LOCK NUT	M5×0.8	1
OA127A	O-RING	ARP568-127	1	UC0801	DRIVER SET		1				

★☆☆ If you need to order parts, please mark both Parts No. and Description. ☆☆☆