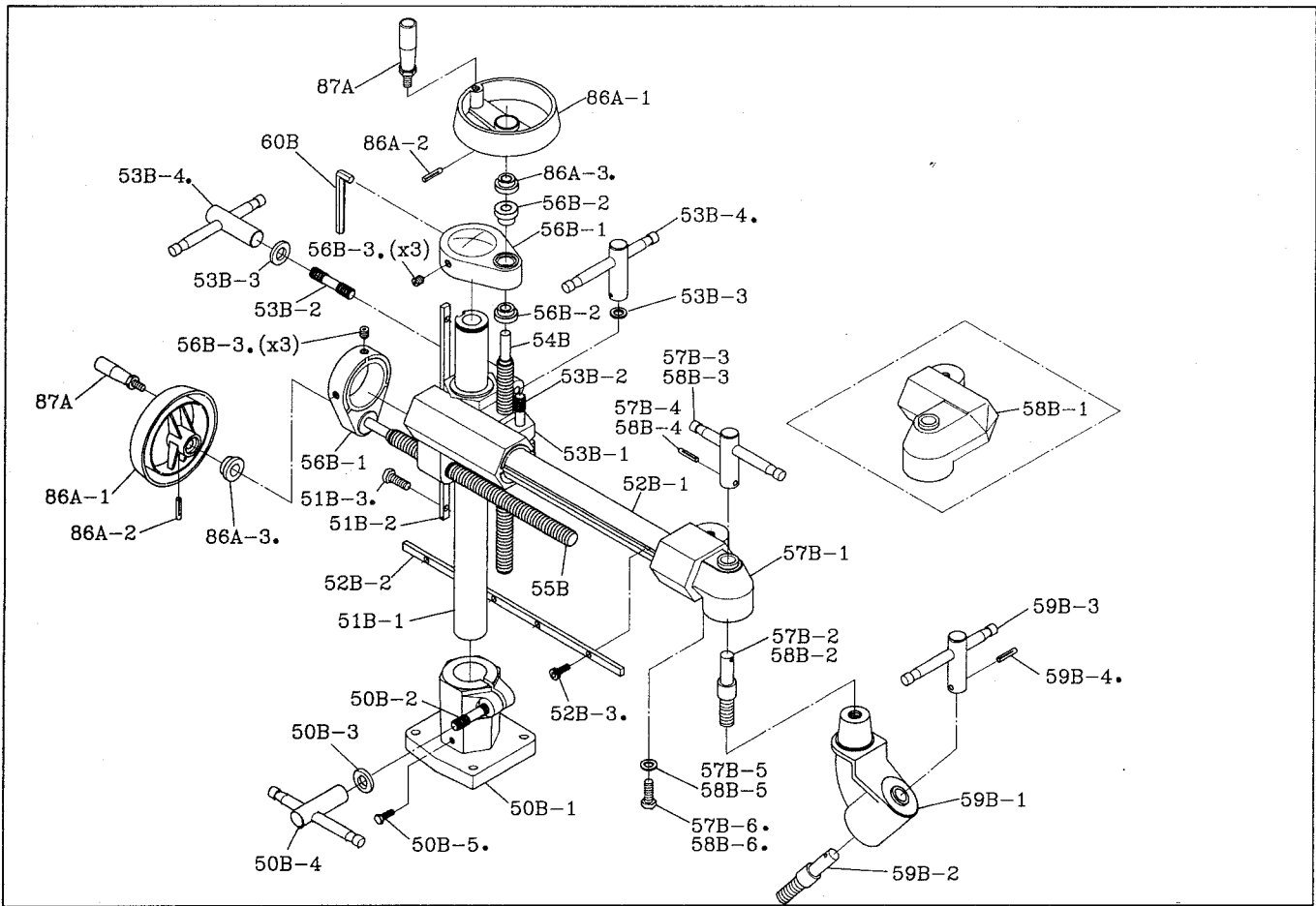


US-01 (for 1/4HP Feeders)

Part No.	Code NO.	Description	Q'ty	Part No.	Code NO.	Description	Q'ty
87A	U01-1305	Wheel Handle	1	96B	96B	Column Cape Kit	
90B	90B	Base Kit		96B-1	C02-0323-3	Column Cape	1
90B-1	A20-0326-4	Base	1	96B-2	A50-0325	Bushing	2
90B-2	R11-0250	Washer	1	96B-3*	S33-0812	Screw	3
90B-3	G41-1312	Lever	1	97B	97B	Handwheel Kit	
90B-4*	N13-008R	Nut	1	97B-1	C02-1301-3	Handwheel	1
91B	G41-0313	Elevating Shaft Kit	1	97B-2*	P21-0430	Pinion	1
92B	G41-0314	Over Arm Cone (Model:32)	1	98B	98B	Overarm Cone Kit	
93B	93B	Elevating Bracket Kit		98B-1	A20-0328-4	Overarm Cone	1
93B-1	A20-0327-5	Elevating Bracket	1	98B-2	N14-016R	Nut	1
93B-2	R11-0250	Washer	2	98B-3	G41-1311	Lever	1
93B-3	G41-1312	Lever	2	98B-4	R11-0300	Washer	1
93B-4	N13-008R	Nut	4	98B-5*	S13-1050	Screw	1
93B-5	S33-0820	Screw	2	99B	99B	Swivel Cone Kit	
93B-6*	R12-0008	Washer	2	99B-1	A20-1321-4	Swivel Cone	1
94B	G41-1310	Elevating Screw Kit	1	99B-2	N14-016R	Nut	1
95B	G41-1309	Pinion Kit	1	99B-3*	G41-1311	Lever	1



US-02 (For 1/2HP Feeders)

Part No.	Code NO.	Description	Q'ty	Part No.	Code NO.	Description	Q'ty
50B	50B	Base Kit (Model:308/408)		57B	57B	Over Arm Cone Kit (Model:408)	
50B-1	A20-0315-4	Column Base	1	57B-1	A20-0322-4	Overarm Cone	1
50B-2	S83-1270	Stud	1	57B-2	G41-1305	Lock Stud	1
50B-3	R11-0400	Washer	1	57B-3	HA-0307	Lever	1
50B-4	HA-1306	Lever	1	57B-4	P21-0622	Lock Pin	1
50B-5*	S13-0825	Screw	1	57B-5	R11-0400	Washer	1
51B	51B	Vertical Column Kit		57B-6*	S13-1250	Screw	1
51B-1	G42-0305-2	Column, Vertical	1	58B	58B	Over Arm Cone Kit (Model:308)	
51B-2	G41-0318-2	Key	1	58B-1	A20-0317-4	Overarm Cone	1
51B-3*	S23-0508	Screw	3	58B-2	G41-1305	Lock Stud	1
52B	52B	Over Arm Kit (Model:308/408)		58B-3	HA-0307	Lever	1
52B-1	G42-0306-2	Over Arm	1	58B-4	P21-0622	Lock Pin	1
52B-2	G41-0321-2	Key	1	58B-5	R11-0400	Washer	1
52B-3*	S23-0508	Screw	4	58B-6*	S13-1250	Screw	1
53B	53B	Elevating Bracket Kit		59B	59B	Swivel Cone Kit	
53B-1	A20-0316-4	Elevating Bracket	1	59B-1	A20-0318-4	Swivel Cone	1
53B-2	S83-1270	Stud	2	59B-2	G41-1305	Lock Stud	1
53B-3	R11-0400	Washer	2	59B-3	HA-0307	Lever	1
53B-4*	HA-1306	Lever	2	59B-4*	P21-0622	Lock Pin	1
54B	G41-0319-1	Elevating Screw Kit	1	60B	T00-0301	Cape Screw Wrench	1
55B	G41-0320-1	Pinion Kit	1	86A	86A	Handwheel Kit	
56B	56B	Column Cape Kit		86A-1	C02-1306-3	Handwheel	1
56B-1	C02-0305-3	Column Cape	1	86A-2	P21-0636	Lock Pin	1
56B-2	A50-0317	Bushing	2	86A-3*	A50-0317	Bushing	1
56B-3*	S33-0812	Set Screw	3	87A	U01-1305	Wheel Handle	1

